

Christie MicroTiles

Architectural design Museums
Broadcast sets Retail
Control rooms Stadiums
Corporate Universities
Live events

Perimeter Institute for Theoretical Physics, Waterloo, Ontario, Canada.



“The Christie MicroTiles’ high-resolution capabilities, vivid color and clarity really took us to that next level where we could bring information to life in all new ways.”

John Matlock, Director of External Relations and Public Affairs,
Perimeter Institute for Theoretical Physics

The New Digital Canvas

Built on proven DLP® technology and designed for superior image quality in high-ambient light environments, Christie® MicroTiles® elevate display technology to a new level.

You have the freedom to create a digital display in any size and any shape, thanks to Christie MicroTiles’ unobtrusive, building-block design. See your ideas come to life, wherever, whenever and however you want.

Using the strengths of rear projection and Light Emitting Diode (LED) technology, Christie MicroTiles have higher resolution, substantially brighter images and a much wider color palette than conventional

LCD and plasma displays. With tiny seams and no practical limit to the number of tiles in a display, Christie MicroTiles produce a nearly seamless canvas with an unlimited number of super-fine pixels.

Christie MicroTiles’ images look amazing at any angle and viewing distance. Walk right up to the display for a closer look, even touch it. Christie MicroTiles’ screens stay cool without sending your energy bills through the roof. With rock-solid housing, durable screens and a long-lasting LED light engine, your Christie MicroTiles display delivers unmatched long life and reliability.



Technical specifications

| | | | |
|---------------------------------|---|--|------------------|
| Model numbers | display unit | • D100 | |
| | screen | • S300 | |
| | external control unit (ECU) | • E100 | |
| Physical specifications | | Display unit with screen | ECU |
| | height | • 306mm (12.05") | • 50mm (1.97") |
| | width | • 408mm (16.06") | • 259mm (10.20") |
| | depth | • 260mm (10.24") | • 191mm (7.52") |
| Display specifications | weight | • 9.2kg (20.3lbs) | • 1.6kg (3.5lbs) |
| | screen size (diagonal) | • 510mm (20") | |
| | native resolution per tile | • 720 x 540 | |
| | pixel pitch | • 0.567 x 0.567mm | |
| | screen gap | • 1.3mm typical at 25°C (77°F) ambient | |
| | LED lifespan (50% brightness) | • 65,000 hours | |
| | peak white color temperature | • 6500K | |
| | color temperature | • 3200-9600K | |
| | color space (CIE 1931) | • 115% | |
| | optical system | • DLP® 0.55" SVGA | |
| Screen specifications | maximum calibrated brightness ¹ | • 600 nits (cd/m ²) | |
| | operating temperature | • 5°C (41°F) minimum • 40°C (104°F) maximum | |
| | storage temperature | • -20°C (-4°F) minimum • 50°C (122°F) maximum | |
| | operating humidity | • 35-80% non-condensing | |
| Processing and control | input signal compatibility | • Single-link DVI-D (HDCP) | |
| | processor bit rate | • 165M pixels per second | |
| | data link bit rate | • 5Gbps | |
| | color processing | • 13 bits | |
| | refresh rate | • 47-63Hz frame-locked | |
| | control interface | • Ethernet with SNMP support, Serial | |
| Power | input rating | • Display unit: 100-240 VAC; 50/60Hz; 1.3A-0.54A • ECU: 100-240 VAC; 50/60Hz; 0.20A | |
| | power consumption per tile | • 70W typical, 16W standby, 110W design limit ¹ | |
| | power consumption per ECU | • 8.5W typical | |
| | heat load per tile | • 239 BTUs/hr typical, 375 BTUs/hr design limit ¹ | |
| Operating specifications | clearance for ventilation (rear) | • 50mm (2") minimum | |
| | vibration/motion limit | • 0.5G | |
| | sound pressure per tile | • 35dB typical at 25°C (77°F) ambient | |
| | run time | • 24/7 | |
| Accessories | • Mounting brackets for each tile above 5 high • Base feet for levelling the bottom row | | |
| | • Rear air filter | | |
| Regulatory approvals | • Directives (EC) 2002/95/EC (RoHS) • 2002/96/EC (WEEE) • Regulation (EC) No. 1907/2006 (REACH) • CAN/CSA C22.2 No. 60950-1-03 2nd Edition • UL 60950-1, 2nd Edition • IEC 60950-1:2001, 2nd Edition • FCC, Part 15, Subpart B, Class A • EN55022/CISPR22 Class A • EN55024/CISPR24 • CE (EU) • GoST-R (Russia) • KC (Korea) • PSE (Japan) • C-Tick (Australia & New Zealand) • Singapore • Dubai • CCC (China) • South Africa | | |
| Limited warranty | • Two years parts and labor | | |
| | • Contact an authorized Christie representative for full details of our limited warranty | | |

¹ Under recommended (typical) operating conditions, brightness/color matching is enabled across the canvas. However, if brightness and color matching is disabled, higher brightness and power levels are achievable; up to 110 watts per tile. When designing a cooling or electrical system, this maximum design limit of 110W (375 BTUs/hr) should be used to ensure a reasonable safety factor. Refer to the Christie MicroTiles Specification and Application Guide, available on christiedigital.com, for more details.

Corporate offices

Christie Digital Systems USA, Inc
USA – Cypress
ph: 714 236 8610

Christie Digital Systems Canada Inc.
Canada – Kitchener
ph: 519 744 8005

Independent sales consultant offices

Italy
ph: +39 (0) 2 9902 1161

South Africa
ph: +27 (0) 317 671 347

Worldwide offices

United Kingdom
ph: +44 (0) 118 977 8000

Germany
ph: +49 2161 664540

France
ph: +33 (0) 1 41 21 44 04

Spain
ph: +34 91 633 9990

Eastern Europe and Russian Federation
ph: +36 (0) 1 47 48 100

United Arab Emirates
ph: +971 4 3206688

India
ph: +91 80 6708 9999

Singapore
ph: +65 6877 8737

China (Shanghai)
ph: +86 21 6278 7708

China (Beijing)
ph: +86 10 6561 0240

Japan (Tokyo)
ph: 81 3 3599 7481

Korea (Seoul)
ph: +82 2 702 1601



JANUS 2010
DE L'INDUSTRIE



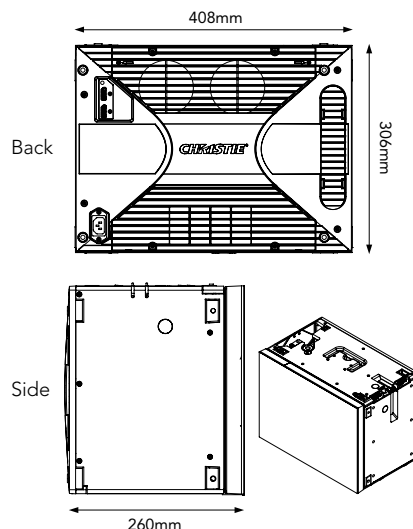
InfoComm Green AV Award



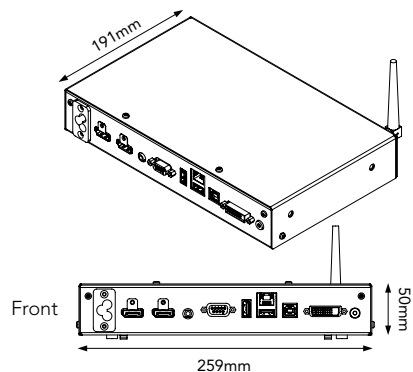
Designing a system

Some display technologies can be difficult to visualize, specify and order. With Christie MicroTiles Designer software, planning and visualizing a Christie MicroTiles display can be done in minutes, and all the appropriate technical output is generated automatically. Christie MicroTiles Designer software is available for free at christiedigital.com/microtiles

Display unit with screen



External Control Unit (ECU)



For the most current specification information, please visit www.christiedigital.com



Copyright 2012 Christie Digital Systems USA, Inc. All rights reserved. All brand names and product names are trademarks, registered trademarks or tradenames of their respective holders. Christie Digital Systems Canada Inc.'s management system is registered to ISO 9001 and ISO 14001. Performance specifications are typical. Due to constant research, specifications are subject to change without notice. Printed in Canada on recycled paper. 3367 Aug 12

CHRISTIE